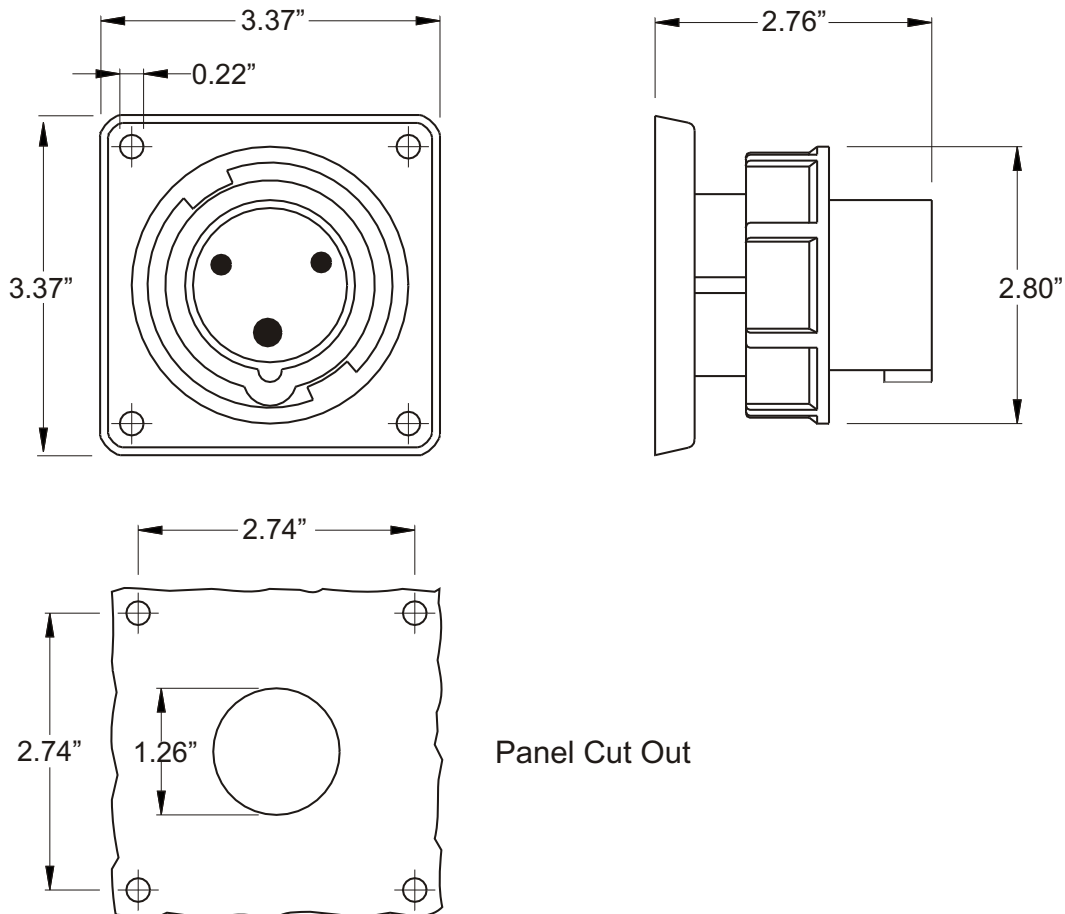


## INLET, PANEL MOUNTING

<b>Part No.</b>	ME 320B6W
<b>Description:</b>	20 Amp 250Vac 2 Pole, 3 Wire Inlet
<b>Construction:</b>	Watertight IEC IP 67
<b>Approvals:</b>	UL Listed Standards 1682; 1686 CSA Certification to Spec. C22.2 No. 182.1 IEC 60309-1; IEC 60309-2

**IEC COLOR CODE:** Blue

**GROUND SOCKET:** 6 Hour Position Mates with Female in 6 Hour Position.



Wire Range: #10 - #14 AWG

Drawing Not to Scale